

OFFICE/WAREHOUSE FLEX SPACE  
FOR LEASE

# Centennial Commerce Center

6950 SOUTH TUCSON WAY | SUITE 0 | CENTENNIAL, CO 80112

COMCAST AVAILABLE



## Building Information

> Building Size:	76,784 SF
> Size:	2,585 SF
> Available:	Immediately
> Lease Rate:	\$13.00/SF
> CAM:	\$1.92
> Tax:	\$3.65
> Ins.:	\$0.73
> 2026 Est. Op. Exp.:	\$6.30/SF
> Monthly Rent:	\$4,073.53
> City/County:	Centennial/Arapahoe
> Zoning:	MU-PUD
> Power:	3-Phase, 120/208 V
> Year Built:	1982
> Clear Height:	12'
> Loading:	One (1) Dock High

## Highlights

“ Outstanding location in desirable southeast suburban area. ”

- > Versatile project with various warehouse and office build-out.
- > Class B property with excellent curb appeal.
- > Close proximity to Interstate 25, Express Toll 470, Interstate 225 and the Centennial Airport.
- > Individual signage available.

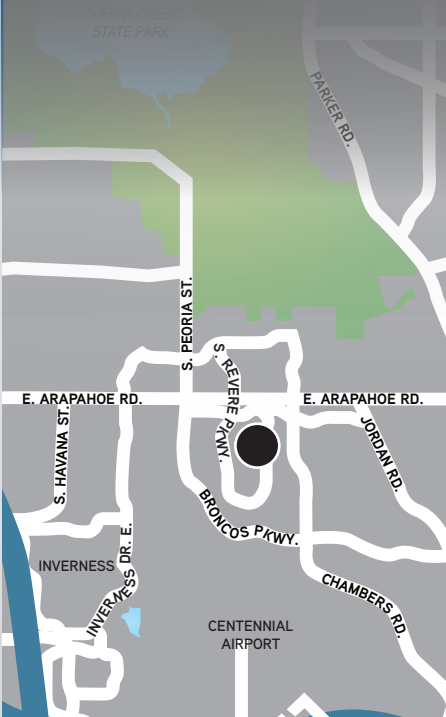
Accelerating success.

## Centennial Commerce Center

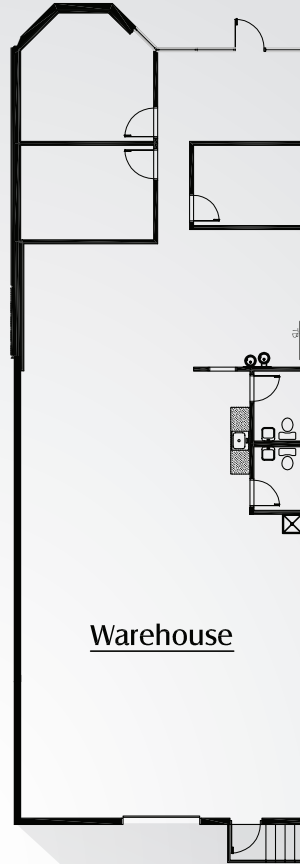
6950 S. Tucson Way  
Suite O  
Centennial, CO 80112

## Contact Us

COLLIERS  
DENVER  
4643 South Ulster Street  
Suite 1000  
Denver, CO 80237  
MAIN +1 303 745 5800  
FAX +1 303 745 5888  
[www.colliers.com](http://www.colliers.com)



## Suite O | 2,585 SF



Suite O  
2,585 SF

