



For Lease
 N72 W13350 Lund Lane
 Menomonee Falls, WI 53051

Woodlands Marketplace
 Menomonee Falls Retail Space

Russ Sagmoen
 Partner
 +1 262 573 0640
 russ.sagmoen@colliers.com

Isaac Berg
 Vice President
 +1 414 630 8511
 isaac.berg@colliers.com

James McKenna
 Real Estate Advisor
 +1 262 492 9073
 james.mckenna@colliers.com

Colliers | Wisconsin
 833 E Michigan St, Suite 500
 Milwaukee, WI 53202
 +1 414 276 9500

Property Details

Available Space 972 SF - 3,381 SF

Building Size 8,449 SF

Year Built 2007

Parking 40 Surface Stalls

OpEx \$10.25 PSF

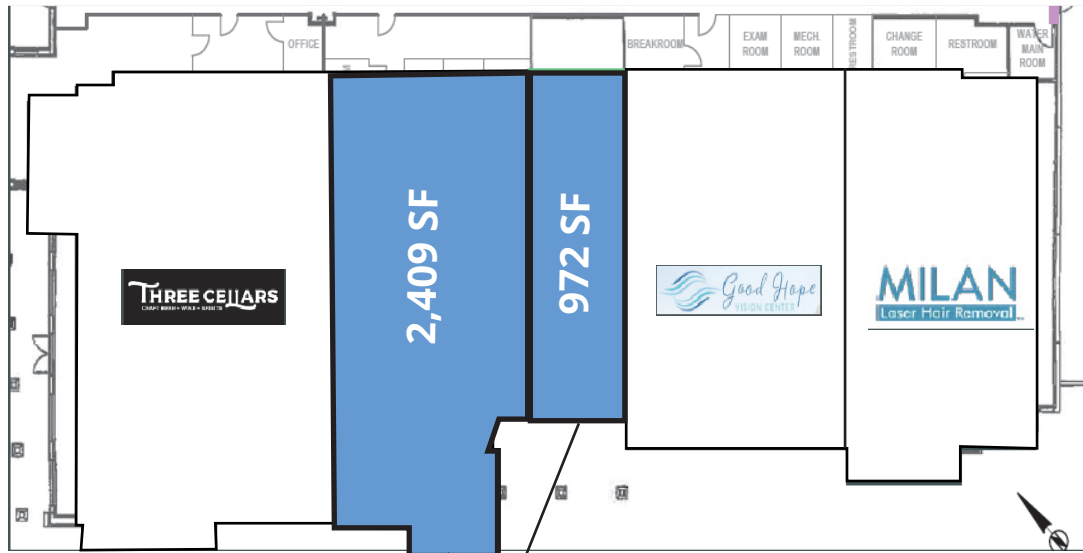
Lease Rate **Contact Broker**

Property Highlights

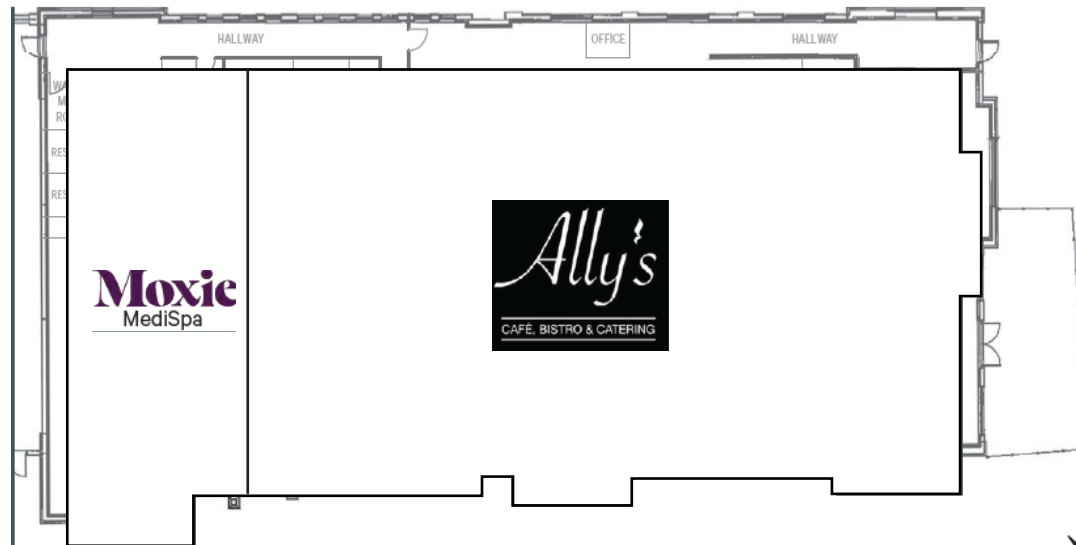
- Strong visibility on Good Hope Rd & Appleton Ave (25,600, VPD).
- Great co-tenants including Ally's Bistro, Three Cellars, and medical/med-spa users.
- Across from mixed-use luxury development.



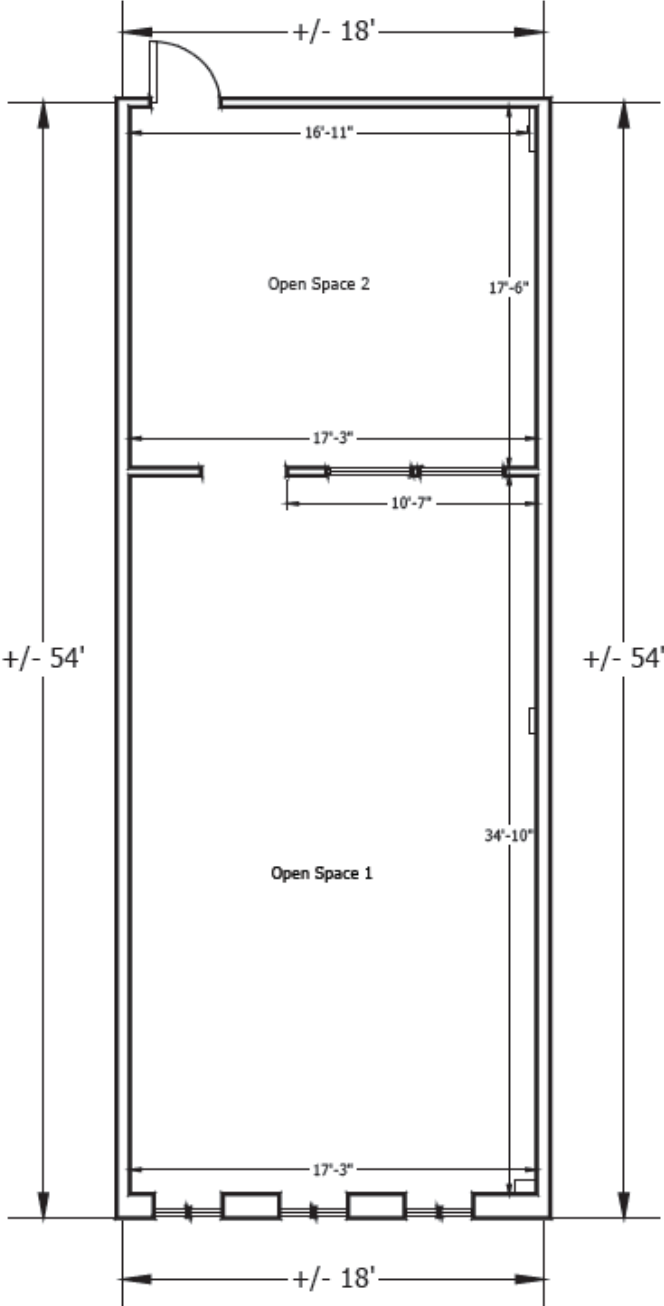
Site Plan & Availability



Can Be Combined
For 3,381 SF



Floor Plans - 972 SF





Demographics: 1, 3, 5 Mile Radius

| Total Population | | Total Daytime Population | | Total Households | | Median Household Income | | Workforce Population | |
|------------------|---------|--------------------------|---------|------------------|--------|-------------------------|-----------|----------------------|--------|
| 1 ^{MI} | 4,228 | 1 ^{MI} | 4,034 | 1 ^{MI} | 1,792 | 1 ^{MI} | \$110,586 | 1 ^{MI} | 2,197 |
| 3 ^{MI} | 47,964 | 3 ^{MI} | 58,562 | 3 ^{MI} | 20,165 | 3 ^{MI} | \$79,414 | 3 ^{MI} | 24,199 |
| 5 ^{MI} | 152,995 | 5 ^{MI} | 172,957 | 5 ^{MI} | 61,300 | 5 ^{MI} | \$70,408 | 5 ^{MI} | 73,157 |

For Lease | Woodlands Marketplace | N72 W13350 Lund Lane, Menomonee Falls, WI 53051



For Lease

N72 W13350 Lund Lane
Menomonee Falls, WI 53051



Russ Sagmoen
Partner
+1 262 573 0640
russ.sagmoen@colliers.com



Isaac Berg
Vice President
+1 414 630 8511
isaac.berg@colliers.com



James McKenna
Real Estate Advisor
+1 262 492 9073
james.mckenna@colliers.com



Colliers | Wisconsin
833 E Michigan St
Suite 500
Milwaukee, WI 53202
+1 414 276 9500



Prior to negotiating on your behalf the Brokerage firm, or an agent associated with the firm, must provide you the following disclosure statement:

Broker Disclosure to Customers

You are a customer of the brokerage firm (hereinafter Firm). The Firm is either an agent of another party in the transaction or a subagent of another firm that is the agent of another party in the transaction. The broker or a salesperson acting on behalf of the Firm may provide brokerage services to you. Whenever the Firm is providing brokerage services to you, the Firm and its brokers and salespersons (hereinafter Agents) owe you, the customer, the following duties:

- The duty to provide brokerage services to you fairly and honestly.
- The duty to exercise reasonable skill and care in providing brokerage services to you.
- The duty to provide you with accurate information about market conditions with a reasonable time if you request it, unless disclosure of the information is prohibited by law.
- The duty to disclose to you in writing certain Material Adverse Facts about a property, unless disclosure of the information is prohibited by law.
- The duty to protect your confidentiality. Unless the law requires it, the Firm and its Agents will not disclose your confidential information or the confidential information to other parties.
- The duty to safeguard trust funds and other property held by the Firm or its Agents.
- The duty, when negotiating, to present contract proposals in an objective and unbiased manner and disclose the advantages and disadvantages of the proposals.

Please review this information carefully. An Agent of the Firm can answer your questions about brokerage services, but if you need legal advice, tax advice or a professional home inspection contact an attorney, tax advisor, or home inspector. This disclosure is required by section 452.135 of the Wisconsin statutes and is for information only. It is a plain-language summary of the duties owed to a customer under section 452.133 (1) of the Wisconsin statutes.

Confidentiality Notice to Customers

The Firm and its Agents will keep confidential any information given to the Firm and its Agents in confidence, or any information obtained by the Firm and its Agents that a reasonable person would want to be kept confidential, unless the information must be disclosed by law or you authorize the Firm to disclose particular information. The Firm and its Agents shall continue to keep the information confidential after the Firm is no longer providing brokerage services to you.

The following information is required to be disclosed by law:

1. Material Adverse Facts, as defined in section 452.01 (5g) of the Wisconsin Statutes.
2. Any facts known by the Firm or its Agents that contradict any information included in a written inspection report on the property or real estate that is the subject of the transaction.

To ensure that the Firm and its Agents are aware of what specific information you consider confidential, you may list that information below, or provide that information to the Firm and its Agents by other means. At a later time, you may also provide the Firm and its Agents with other information you consider to be confidential.

Confidential information: _____

Non-Confidential information: (The following information may be disclosed by the Firm and its Agents): _____

(Insert information you authorize to be disclosed, such as financial qualification information.)

Definition of Material Adverse Facts

A "Material Adverse Fact" is defined in Wis. Stat 452.01 (5g) as an Adverse Fact that a party indicates is of such significance, or that is generally recognized by a competent licensee as being of such significance to a reasonable party, that it affects or would affect the party's decision to enter into a contract or agreement concerning a transaction or affects or would affect the party's decision about the terms of such a contract or agreement.

An "Adverse" fact is defined in Wis. Stat. 452.01 (1e) as a condition or occurrence that a competent licensee generally recognizes will significantly and adversely affect the value of the property, significantly reduce the structural integrity of improvements to real estate, or present a significant health risk to occupants of the property; or information that indicates that a party to a transaction is not able to or does not intend to meet his or her obligations under a contract or agreement made concerning the transaction.

Sex Offender Registry

Notice: You may obtain information about the sex offender registry and persons registered with the registry by contacting the Wisconsin Department of Corrections on the Internet at <http://offender.doc.state.wi.us/public/>

No representation is made as to the legal validity of any provision or the adequacy of any provision in any specific transaction.
Copyright 2016 by Wisconsin REALTORS Association.